



PRODUCTS CATALOG

ELECTRICAL ENCLOSURES & MODULAR CABINETS



20

exmweb.com

NEMA 4X ENCLOSURES

5412 ESSDD

WALL MOUNTED DOUBLE DOOR STAINLESS STEEL ENCLOSURES

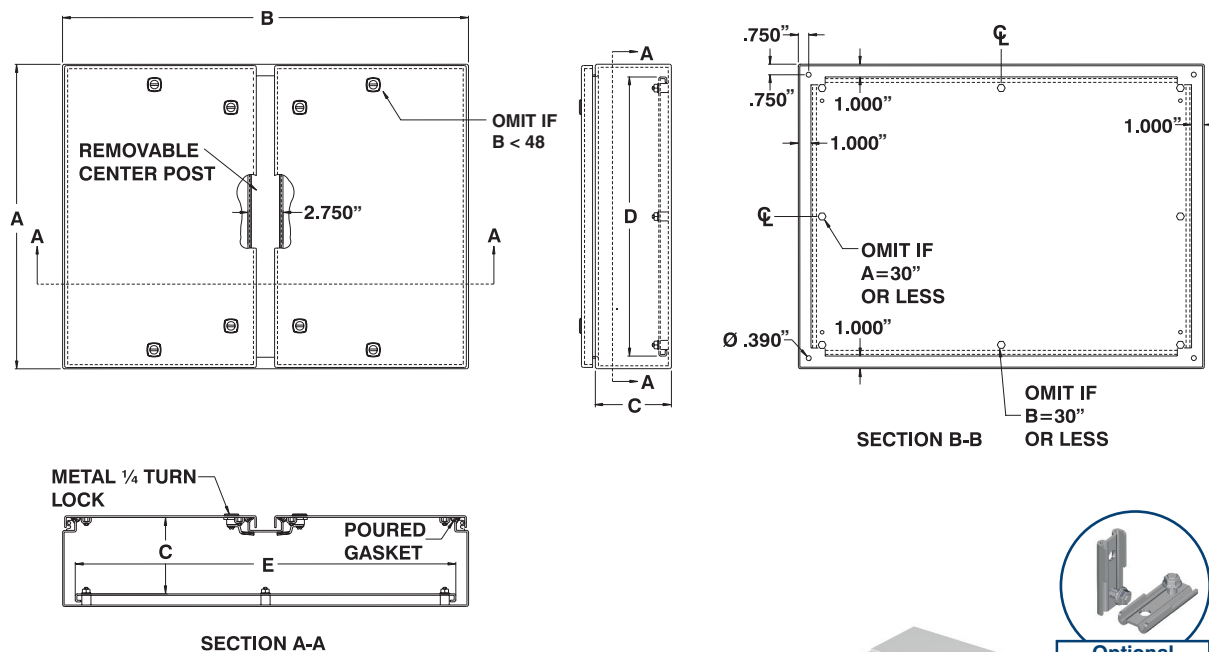
The 5412 ESSDD water, oil & dust tight enclosures are used indoors or outdoors, in areas where a corrosion problem exists or where the enclosures may be subject to hosing or water coming from any direction, or for protection against dust, dirt or oil splashing. The 5412 ESSDD are made of high quality 14 GA (Type 304) stainless steel, with continuously welded corner seams. The opening has a curled lip around all sides to increase rigidity and

prevent dripping water from entering the enclosure when the doors are open. A high quality, robotically poured-in-place, seamless gasket ensures a complete and durable water tight seal. The pins of the concealed hinges can be pulled out to remove the door. A ¼ turn locking mechanism ensures positive closing. Internal mounting holes are provided. **Each enclosure comes complete with a 12 GA galvanized inner panel, which is dou-**

ble bent* for maximum rigidity and mounts on M8 welded studs. The enclosures are brushed smooth. Inner panel is galvanized (other colors available).

**CSA Certified / UL Listed
NEMA/EEMAC 4X / IP66**

Refer to p.734 to validate choice of substrate for the application



CATALOG NUMBER	DIMENSIONS							SHIP WGHT LBS.
	A	B	C	D	E	F	G	
5412 ESSDD244208	24	42	8	22	40	25.25	36	117
5412 ESSDD244808	24	48	8	22	46	25.25	42	130
5412 ESSDD544208	54	42	8	52	40	55.25	36	272
5412 ESSDD244210	24	42	10	22	40	25.25	36	150
5412 ESSDD304210	30	42	10	28	40	31.25	36	152
5412 ESSDD304810	30	48	10	28	46	31.25	42	168
5412 ESSDD306010	30	60	10	28	58	31.25	54	203
5412 ESSDD364212	36	42	12	34	40	37.25	36	220
5412 ESSDD364812	36	48	12	34	46	37.25	42	242
5412 ESSDD366012	36	60	12	34	58	37.25	54	292
5412 ESSDD424212	42	42	12	40	40	43.25	36	197
5412 ESSDD424812	42	48	12	40	46	43.25	42	216
5412 ESSDD426012	42	60	12	40	58	43.25	54	349
5412 ESSDD484812	48	48	12	46	46	49.25	42	225

† For stainless steel type 316, add suffix '6' to the catalog number (ie. 5412 ESSDD2442086).

‡ For painted stainless steel, add suffix 'P' to the catalog number (ie. 5412 ESSDD544208P).

Insulated box? To have your enclosure insulated, add suffix "TH"

i.e.: 5412 ESSDD484812TH ← Insulated stainless steel enclosure



368